

In the coming weeks, M.C. TEC and its partners will participate in various exhibitions...

You are very welcome to visits us here!

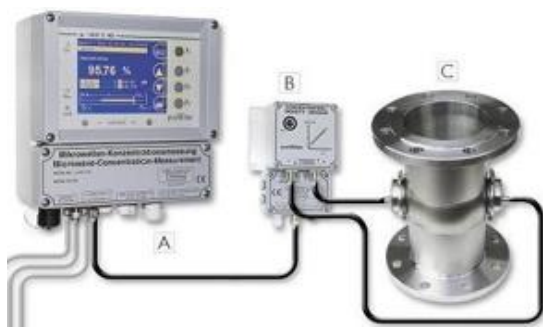


Click on the above logo for more information about this exhibition.

Our colleagues Angelique Hoekman, Sandra Maas, Richard Prins and Remko van der Leeden will be present to give you advice and to answers your questions.



Inline brix, CO-2 and O2 analyses



Solids Rotterdam (booth C113) 4th & 5th of October 2017

Companies which are specialized in **processing, storage and transport of dry bulk goods** will present their innovations **on the 4th and 5th of October 2017 at Solids Rotterdam**. This exhibition is part of the Solids European Series: the leading trade fairs focusing on the **powder industry** and **bulk industry**.

Solids Rotterdam is the only trade fair in The Netherlands for the entire bulk sector. This **successful two-day network platform** takes place in Rotterdam Ahoy for the seventh time.

On this show we will present our solutions of moisture measurements, brix and concentration measurements and radiation measurement equipment.

We would be happy to tell you about our projects and our possibilities. We will demonstrate various devices at this show and **you are invited to visit us at our stand (C113)!**

Click on the above logo for more information about this show.

[Free entrance ticket? Click on this link!](#)



Powtech Nürnberg (booth 1-308)

25th – 29th September 2017

Our partner ProMTec will present its solutions for inline concentration measurements and brix measurements at Powtech.

Our colleague Remko van der Leeden will be there for a couple of days to give you advice and to answer your questions.

Click on below logo for more information about this show.





Click on the above logo for more information about this fair.

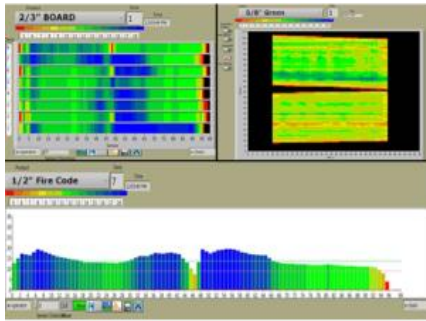
Global Gypsum Krakow Poland 25 - 26 October 2017

Global Gypsum is a yearly held conference for the gypsum industry. This congress takes place on a different location every year. This year, Global Gypsum will be organized in Krakow, Poland. Our partner **Sensortech Systems** will present its solutions for **moisture measurements**.

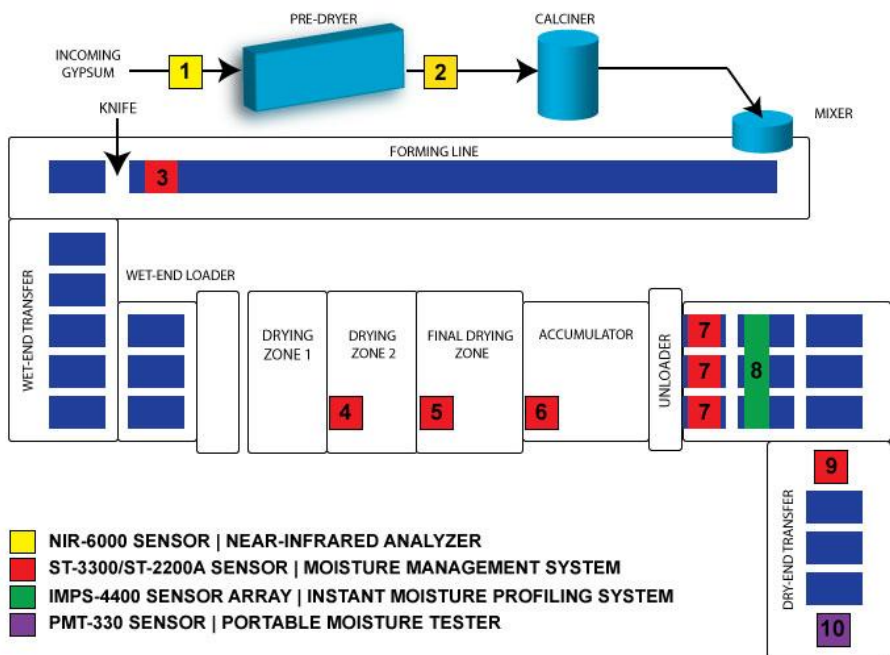
Sensortech Systems is **the worldwide principal leader for moisture measurements on plaster boards** for inside dryers and after drying process as well. There are also many opportunities for measuring moisture in rough material, such as synthetic plaster or natural plaster.

Our colleagues Richard Prins and Remko van der Leeden will be at the conference to give you advice and to answer your questions.

Click on the above logo for more information about this show.



IMPS Moisture measurement system



M.C. TEC BV is a key supplier of high-tech measurement instruments for process and laboratory analysis. Our customer are the industry, research center and government. Quality, customer satisfaction and service are very important for us. We would be happy to send you more information about our company and product range. We would also be happy to make an appointment and advice you further about our possibilities. Don't hesitate to send an e-mail to info@mctec.nl for more information. A visit at our website will also give you additional information about our delivery program: www.mctec.nl.

Unsubscribe can be easily done by sending an email to sandra@mctec.nl with the subject "unsubscribe newsletter".

M.C. TEC BV

Distributiestraat 73
4283 JN Giessen
The Netherlands

Phone: +31-(0)183-445050

Fax: +31-(0)183-445059

E-mail: info@mctec.nl

Website: <http://www.mctec.nl>

Instrumentation for measuring:

- Moisture
- Radioactivity
- Paper & Cardboard
- Concentration
- XRF Element analyses